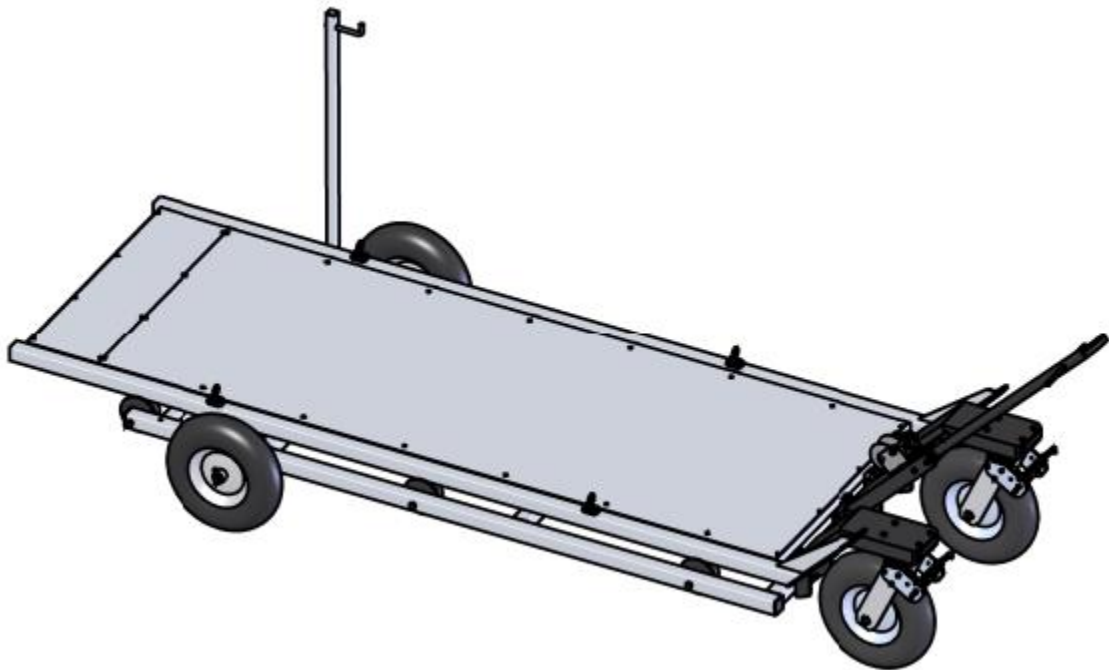


MOBILITY SLED (016748) ASSEMBLY INSTRUCTIONS

See diagram on pg. 2 for location of components.

Procedure:

1. Locate and identify all parts.
2. Install the rear wheels into the cart frame at the location provided.
3. Attach the front wheel assemblies and winch assembly to the cart frame at the location provided.
4. Install the tow bar into the winch assembly.
5. Bolt the head tree to the cart.
6. Mount skid onto cart rollers so that ramps face the front of the sled.
7. Connect the winch rope clip to the center eye bolt on the skid.
8. Install the locking pin through the frame bracket and off-center eye bolt on the skid.



MOBILITY SLED (016748) ASSEMBLY INSTRUCTIONS

