



Bambi
BUCKET®
Driven by Innovation

SACKSAFOAM QUICK FILL

OPERATIONS MANUAL

2019A



SACKSAFOAM QUICK FILL OPERATIONS MANUAL

Version 2019A

PLEASE READ BEFORE USING

This manual is applicable to the following models:

(#014563)

Copies of this manual (#015383) are available from SEI.
The manual is available on the SEI website.

SEI INDUSTRIES LTD.

7400 Wilson Avenue
Delta, B.C. Canada
V4G 1H3

Phone: (604) 946-3131
Fax: (604) 940-9566
E-Mail: seisales@sei-ind.com
Website: www.bambibucket.com

Version	Revision Summary
2019A	• General Revision

Table of Contents

Section 2: Overview	1
Introduction.....	1
Specifications.....	2
Major Components.....	2
Maintenance Components.....	3
Section 2: Installation	4
Section 3: Operations	5
Power Supply	5
Filling the Sacksafoam Bladder	5
Emptying the Sacksafoam Bladder	6
Section 4: Clean Up & Storage.....	7
Clean up	7
Long term Storage.....	7
Section 5: Warranty	8

Section 1: Overview

Introduction

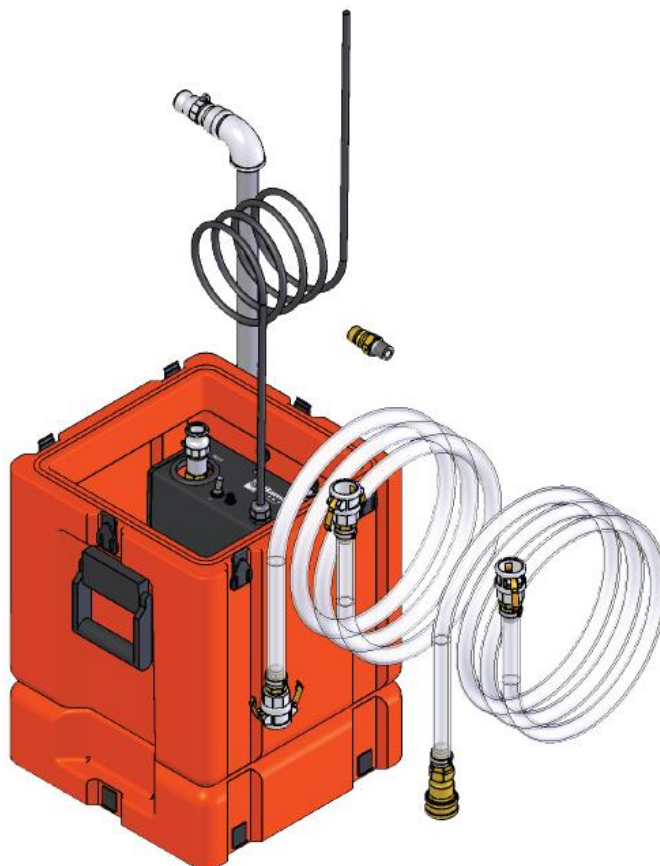


Figure 1-Complete Sacksafoam Quick Fill

The Sacksafoam Quick Fill (#014563) is a transfer pump system designed to make filling and draining any Sacksafoam Bladder faster and easier.

Section 1: Overview

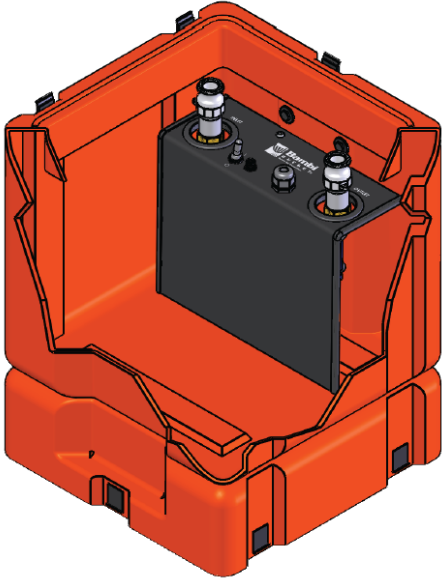

Specifications

Weight	32.8 lb	14.9 kg
Height	20 in	51 cm
Width	16 in	41 cm
Flow Rate	9.2 GPM	0.58 L/s
Max Pressure	15 psi	1 bar
Current	10 A	
Voltage	24-28 VDC	
Max Suction Tube Height	40 in	102 cm

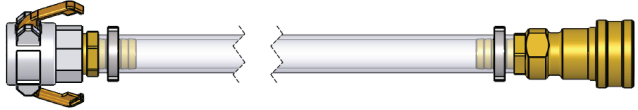

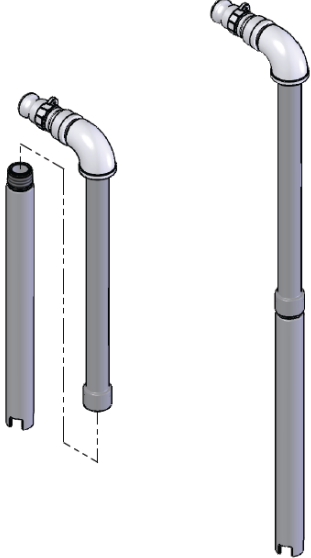
Major Components

All components of the Sacksafoam Quick Fill can be stored inside the main enclosure.

In addition to the main enclosure assembly, all Sacksafoam Quick Fills should include the following components:

PART NUMBER	DESCRIPTION	
014128	ENCLOSURE, QUICK FILL, ASSY	
014131	HOSE, RESERVOIR SIDE, ASSY	

Section 1: Overview

014132	HOSE, BLADDER SIDE, ASSY	
014564	FITTING, QUICK-CONNECT, ASSY	
014133	TUBE, DIP, ASSY	

Maintenance Components

The Sacksafoam Quick Fill does not require regular maintenance. The following components can be purchased as replacement parts if a component is damaged or fails, or if performance deteriorates significantly.

ITEM	PART NUMBER	DESCRIPTION	QTY
1	001369	SWITCH, TOGGLE, SPST, 15A	1
2	001355	BOOT, TOGGLE SWITCH, 15/32-32, GRY	1
3	000899	BREAKER, CIRCUIT, 10A	1
4	014135	PUMP, 9.2 GPM, 24V	1
5	014562	IMPELLER, RUBBER	1

Section 2: Installation

Section 2: Installation

The Sacksafoam Quick Fill is provided with a quick-connect fitting. Remove the drain plug and install the quick connect fitting in its place. See the image below reference.

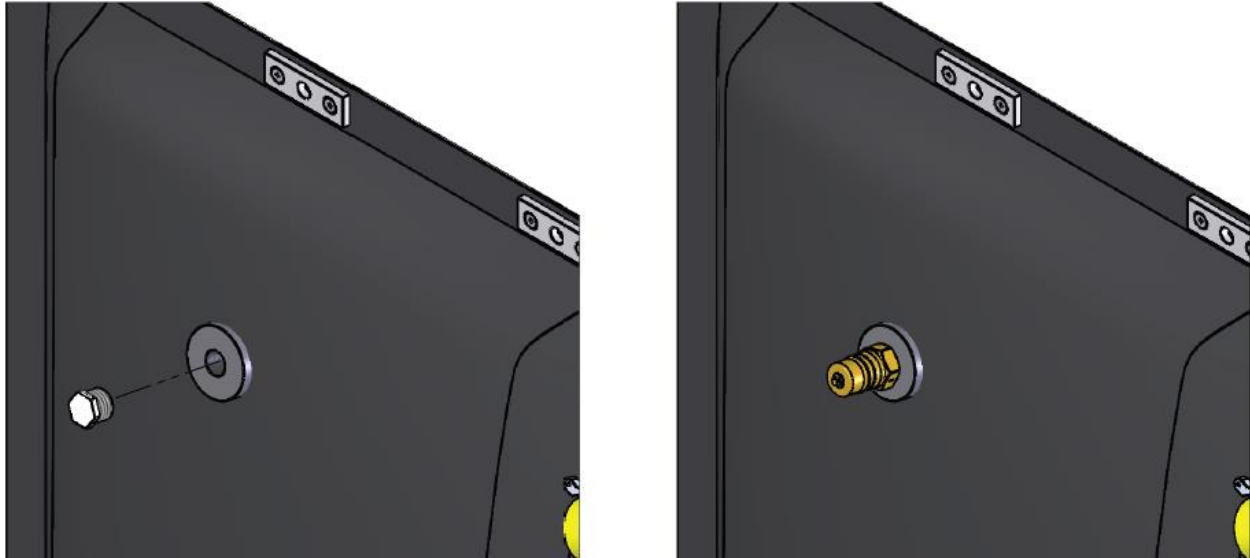


Figure 2-Quick Connect Installation

Section 3: Operations

Power Supply

The Sacksafoam Quick Fill can run on 24-28 VDC. The Sacksafoam Quick Fill should be connected to a circuit capable of handling up to 10 amps. The Sacksafoam Quick Fill is provided with a 10' (3 m) power cable to connect to your power supply. The white wire should be connected to positive 24-28 VDC while the black wire should be connected to ground. See the wiring diagram below for reference.

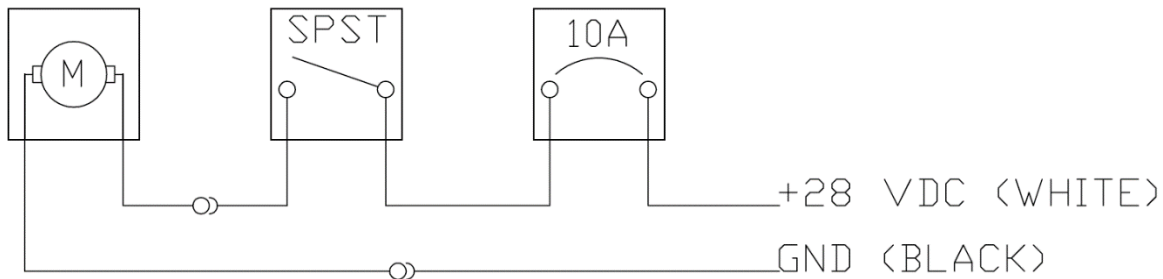


Figure 3-Wiring Diagram

Filling the Sacksafoam Bladder

1. Before filling the bladder ensure that:
 - a. The Sacksafoam bladder is installed in the Bambi Bucket, or the Sacksaberm system
 - b. The Sacksafoam bladder is free of trapped air
 - c. The Sacksafoam inlet port is closed
 - d. The Sacksafoam Quick Fill is properly connected to power
 - e. The Sacksafoam Quick Fill circuit breaker is depressed
2. Connect the bladder side hose to the quick connect fitting on the bladder and the pump outlet
3. Connect the reservoir side hose to the suction tube and the pump inlet
4. Insert the suction tube in the fluid source
 - a. The suction tube can extend to be used with different types of containers
5. Turn the switch to the “on” position (|) to begin filling
6. Turn the switch to the “off” position (0) to stop filling
7. Remove the bladder side hose from the quick connect fitting on the bladder (note: minor spillage may occur)

NOTICE

Filling the bladder beyond its rated capacity can result in rupture or leaking

Section 3: Operations

Emptying the Sacksafoam Bladder

1. Before emptying the bladder ensure that:
 - a. The Sacksafoam inlet port is closed
 - b. The Sacksafoam Quick Fill is properly connected to power
 - c. The Sacksafoam Quick Fill circuit breaker is depressed
2. Connect the bladder side hose to the quick connect fitting on the bladder and the pump inlet
3. Connect the reservoir side hose to the pump outlet
4. Turn the switch to the “on” position (|) to begin emptying the bladder
5. Turn the switch to the “off” position (0) to stop filling
6. Remove the bladder side hose from the quick connect fitting on the bladder (note: minor spillage may occur)

NOTICE

Running the pump dry for extended periods will cause the impeller to wear prematurely

Section 4: Clean Up & Storage

Clean up

The Sacksafoam Quick Fill should be cleared of foam concentrate and flushed with fresh water at the end of a mission. After emptying the Sacksafoam Bladder, fill the bladder and empty it with fresh water.

Long term Storage

The Sacksafoam Quick Fill should be completely dry before going into storage for more than three weeks.

Section 5: Warranty

Section 5: Warranty

SEI Industries Ltd. (the company) agrees to grant a warranty for a period of one year from the date of purchase of Bambi bucket systems on the following conditions:

- a) The company's sole obligation under this warranty is limited to repairing or replacing, at the company's sole discretion, any product shown to be defective.
- b) The company's products are not guaranteed for any specific length of time or measure of service, but are warranted only to be free from defects in workmanship and material for a period of one year to the original purchaser.
- c) To the extent allowable under applicable law, the company's liability for consequential and incidental damages is expressly disclaimed. **The company's liability in all events is limited to and shall not exceed, the purchase price paid.**
- d) This warranty is granted to the original purchaser of Bambi bucket systems and does not extend to a subsequent purchaser or assignee.
- e) The company must receive notification in writing of any claims of warranty from the original purchaser which must give details of the claimed defect in the product.
- f) Where the original purchaser is claiming under warranty, the product must be returned to the company for inspection with all transportation and duty charges prepaid.
- g) The warranty does not extend to any product that has been accidentally damaged, abraded, altered, punctured, abused, misused or used for a purpose which has not been approved by the company.
- h) This warranty does not apply to any accessories used with the product that are not supplied by the company and any warranty on such accessories must be requested from the manufacturer or dealer of the accessories.
- i) In the event the original purchaser does not give notice of a warranty claim, within one year of the original purchase of the product, it is understood that the purchaser has waived the claim for warranty and the purchaser and/or any subsequent purchaser must accept the condition of the product, without warranty.
- j) Any technical information supplied by the company regarding the product is not a condition of warranty but rather is information provided by the company to the best of its knowledge.
- k) There are no implied warranties nor is there any warranty that can be assumed from any representation of any person, except the company itself.

Exclusions

- l) This warranty is void if the product is not installed, used and/or maintained in accordance with the operations manual supplied by SEI.