



Technical Bulletin

Date: January 26, 2018

Product Line: Bambi

Models: All Sacksafoam Bladders

Subject: Sacksafoam Bladder Flange Change

Details

The electrical connection on the Sacksafoam bladder will change to improve the robustness of the electrical connection in the bladder, and to improve the containment of the concentrate.

The new design uses a waterproof flange mounted circular connector at the outer flange. New Sacksafoam bladder kits will also include a new electrical harness design. The new design separates the old design, 004317, into two harnesses. One for the Bladder connection (014635, HARNESS, LOWER, SACKSAFOAM) and one for the controller connection (014636, HARNESS, UPPER, SACKSAFOAM). The bladder harness is now made with heavier cable, and will include a waterproof NEMA 6-15 connector for the break-away connection.

Sacksafoam longline plug sets (001119) will also change to include waterproof NEMA 6-15 plugs.

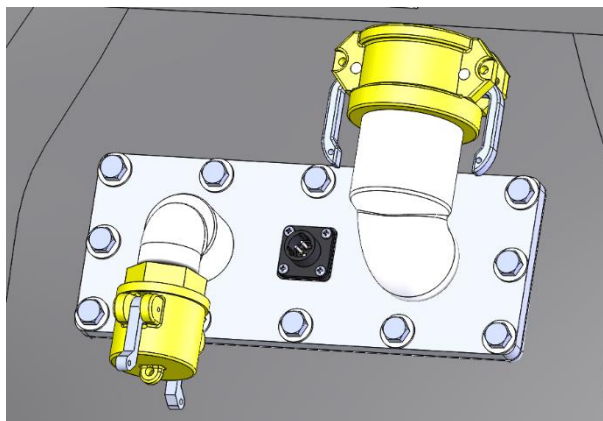


Figure 1- New Flange Design



Connector	Pin	Wire Colour	Function	Pin	Connector
014400	Silver	White	(+24-28V)	1	000941
	Gold	Black	Ground	2	
	Green	-	-	3	
	-	-	-	4	

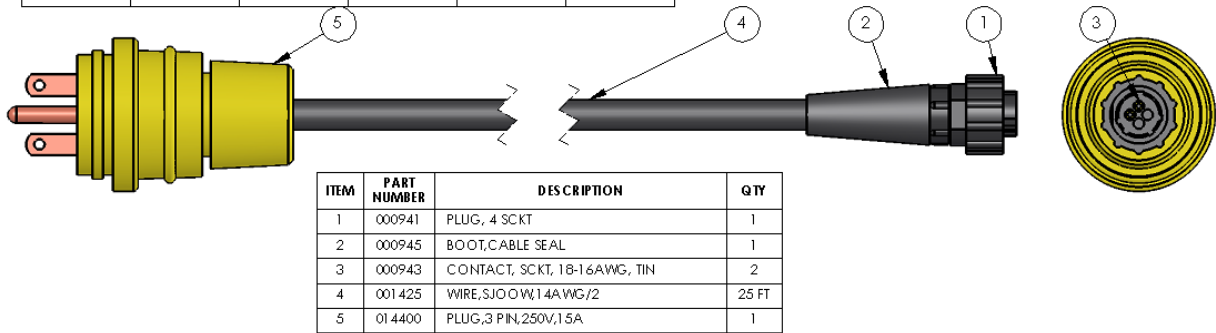


Figure 2- Lower Wire Harness (014635)

This Technical Bulletin is available on the SEI website. <http://www.sei-ind.com/resources/manuals>

For further details, please contact the following SEI representatives.

Contact

Robert Button, P.Eng
 Product Engineer, Aerial Firefighting Division
 604-946-3131 ext. 423
robert@sei-ind.com

Alex Wutschnik, EIT
 Product Engineer, Aerial Firefighting Division
 604-946-3131 ext. 139
alexw@sei-ind.com