



# Technical Bulletin

**Date:** September 28<sup>th</sup>, 2016

**Product Line:** Bambi

**Models:** Sacksafoam Controller

**Subject:** Standard Sacksafoam Controller Harness Changed

## Background

SEI is changing the harness that comes standard with the new Sacksafoam Controller (SFC). The new harness is designed to allow customers who have previously installed the older Sacksafoam controllers (non-touch screen versions) to continue to use their existing wiring configuration.

This new harness is designed to allow an operator installed switch to provide a sinking signal to the controller. One end of the switch must connect to aircraft ground while the other connects to the new harness. The new harness is described as **“CABLE,ADAPTER,SINKING,SFC”** and listed by part number **012913**.

The superseded harness requires a sourced signal from an operator installed switch. The recommended installation uses two wires connected to the switch and the D-Sub connector on the superseded harness. The superseded harness is described as **“CABLE,ADAPTER,SOURCING,SFC”** and listed by part number **010603**.

## Recommendations

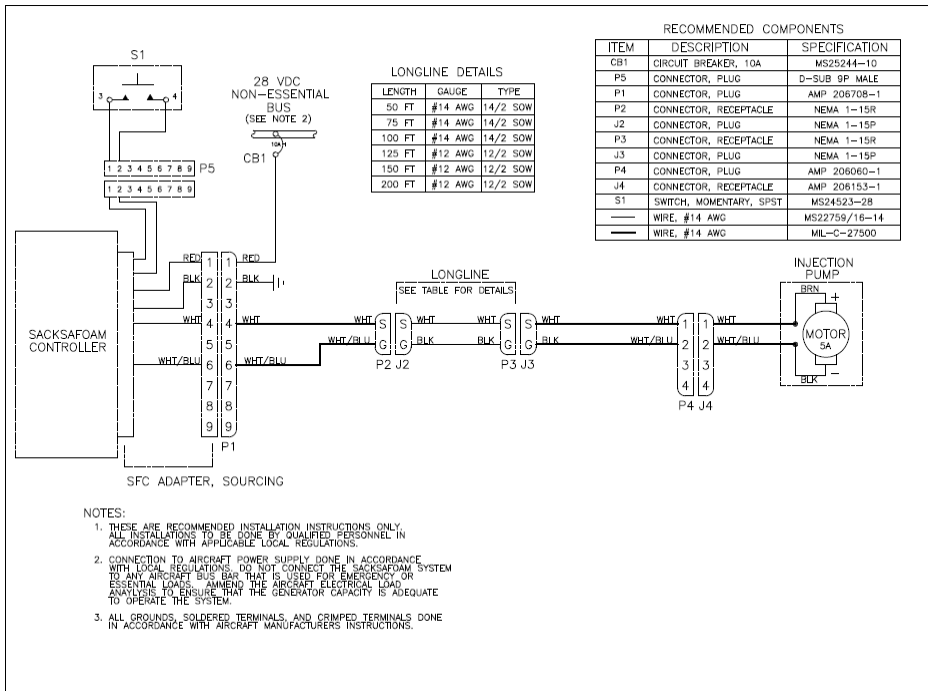
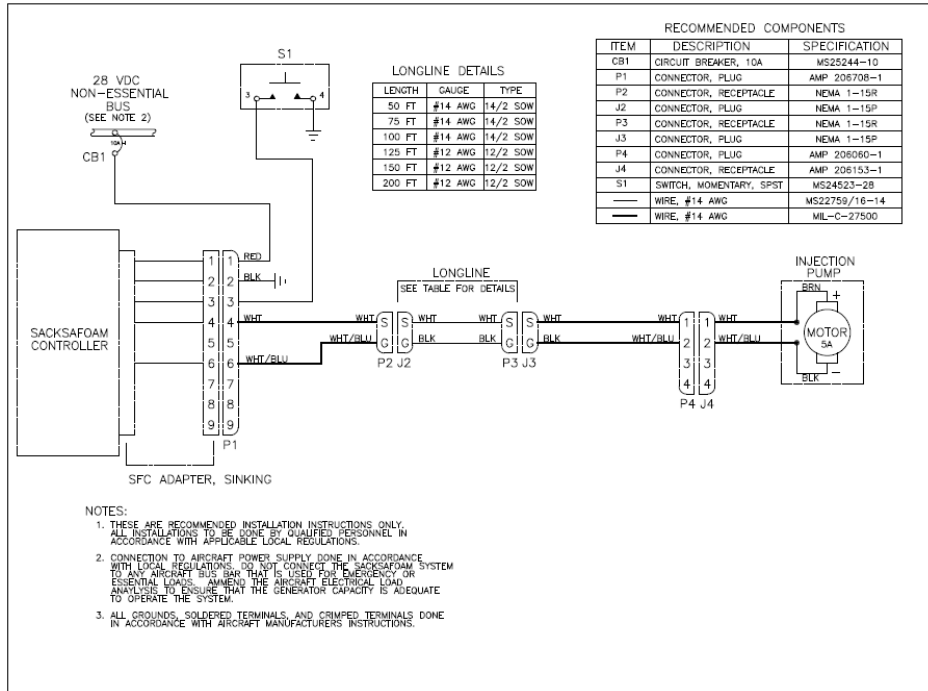
Customers who want to upgrade to the new SFC and have their helicopters wired for the older controller can simply order the standard SFC and will receive the sinking harness 012913. Customers installing the SFC for the first time can also order the standard SFC and receive 012913.

Customers who have already installed a new SFC with the sourcing harness will need to ask for the sourcing harness 010603 when they order a new SFC assembly.

Please see the wiring diagrams below for reference.



**Bambi**  
BUCKET  
Driven by Innovation





This Technical Bulletin is available on the SEI website. <http://www.sei-ind.com/resources/manuals>

For further details, please contact the following SEI representatives.

### Contact

Shawn Bethel  
Division Manager, Firefighting Division  
604-946-3131 ext. 119  
[shawn@sei-ind.com](mailto:shawn@sei-ind.com)

Robert Button  
Product Engineer, Firefighting Division  
604-946-3131 ext. 423  
[robert@sei-ind.com](mailto:robert@sei-ind.com)