

Transfer Pumps



Need to transfer diesel or jet fuel?

Our transfer pumps provide engineered excellence in a fully integrated system that is designed specifically to meet your pumping needs. Available in 100 or 150 gpm models, each pump option is housed on a skid for easy shipping and deployment.

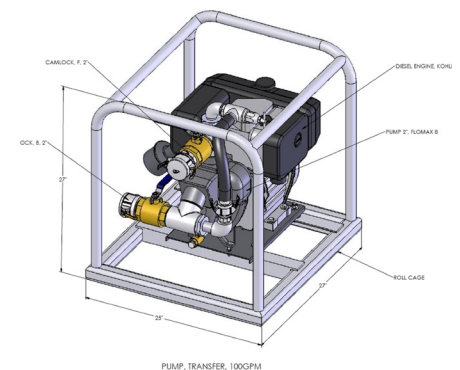
Built to withstand tough terrain but still be easy to handle and redeploy, our pumps are ideal for simple fuel transfers between two points or pumping over long distances. Ready-to-ship inventory of these pumps available.

100 USGPM (378 LPM) Model

- Great for simple transfer of fuel between two points;
- Diesel engine with optional electric start;
- Standard recoil start;
- Self-priming centrifugal 2" pump; and
- Inlet and outlet ball valves, pressure relief valve, camlock fittings and roll cage around pump and engine.

Dimensions: 27" x 25" x 27", 165 lbs;

68.5 cm x 63.5 cm x 68.5 cm, 75 kg.



150 USGPM (567 LPM) Model

- Perfect for high pressure applications or pumping over long distances;
- Diesel engine with optional electric start;
- Standard recoil start;
- Self-priming centrifugal 2" pump; and
- Camlock fittings and roll cage around pump and engine.

Dimensions: 28" x 32" x 31.5", 215 lbs;

71 cm x 81 cm x 80 cm, 97.5 kg.

Electric start option recommended for cold weather usage.