

# BAMBI BUCKET SACKSAFOAM HELI-CASE SELF CONTAINED FOAM SYSTEM

**SEI**  
INDUSTRIES

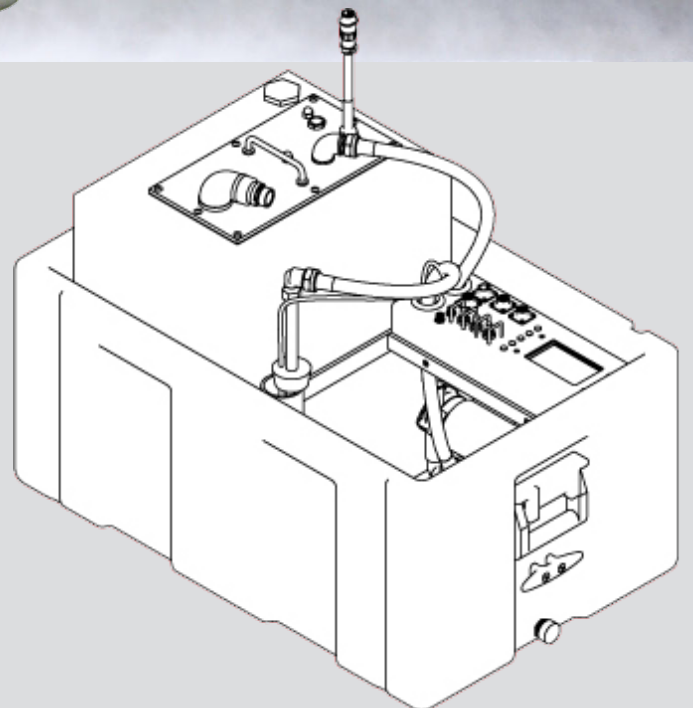


The Sacksafoam™ Heli-Case model is designed for use with larger helicopters that use the Standard Bambi or multi-dump Bambi Buckets. This foam system allows for precise, reliable foam injection to enhance your drop effectiveness on the fireline.

The Sacksafoam™ Plus is a fully enclosed reserve tank for the Heli-Case injection system.

## FEATURES

- Self-contained and designed to prevent foam from contacting the helicopter
- Pumps foam concentrate directly from the foam canisters into the Bambi Bucket
- Include a digital controller, wire harness and internal foam reservoir/injector
- Add the Sacksafoam PLUS system for an additional 40 USG (151 L) of foam supply, reducing the need to land and refill (models BB5566 HD to HL9800)



**SEI INDUSTRIES LTD.**  
7400 Wilson Ave  
Delta, British Columbia  
Canada V4G 1H3

International: 1.866.43.BAMBI  
Canadian Tel: 1.604.946.3131  
Email: sales@sei-ind.com

[WWW.BAMBIBUCKET.COM](http://WWW.BAMBIBUCKET.COM)



# SACKSAFOAM™ HELI-CASE



The Bambi Bucket is now used in more than 110 countries around the world by more than 1,000 helicopter operators.

## SACKSAFOAM HELI-CASE SPECIFICATIONS

PART NUMBER	BAMBI BUCKET MODELS	FOAM CONCENTRATE CAPACITY		DIMENSION (L x W x H)		EMPTY WEIGHT		FULL WEIGHT	
		USG	L	STANDARD	METRIC	LB	kg	LB	kg
012743	BB/BBX 2024 – HL5000	25	95	33" x 21" x 26"	840 x 530 x 660	76	34	285	129
004350	Sacksafoam Plus	40	151	33" x 21" x 26"	840 x 530 x 660	-	-	-	-

Capacities and weights are accurate to within ±5%



**SEI INDUSTRIES LTD.**  
7400 Wilson Ave  
Delta, British Columbia  
Canada V4G 1H3

International: 1.866.43.BAMBI  
Canadian Tel: 1.604.946.3131  
Email: sales@sei-ind.com

[WWW.BAMBIBUCKET.COM](http://WWW.BAMBIBUCKET.COM)

