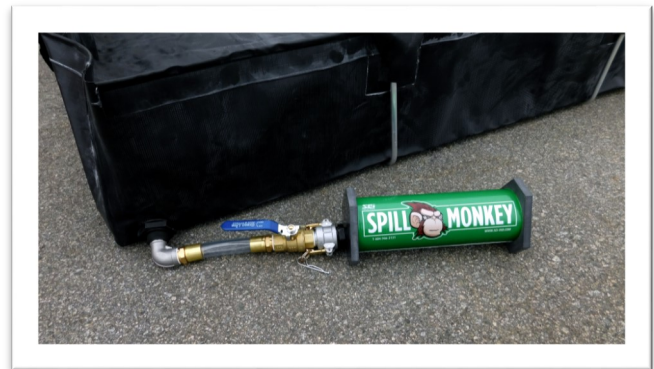


Installation Instructions

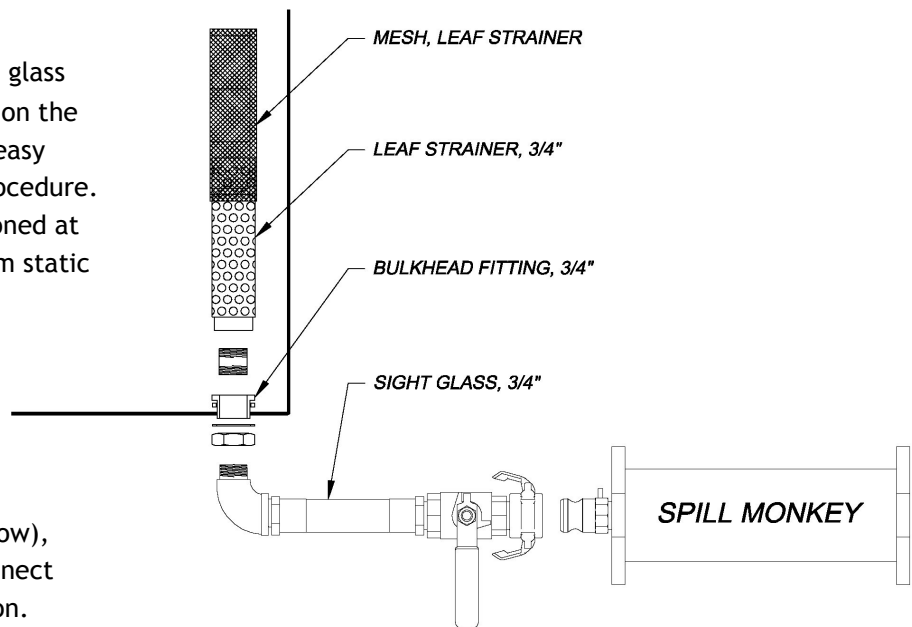
Setting Up The Spill Monkey

The Spill Monkey is a robust filtration device for the elimination of hydrocarbon contamination from water and rainwater collected in berms and other secondary containment spaces.



Step 1 – Attach the 3/4" NPT sight glass connection to the berm. The sight glass has been designed to eliminate the chance of releasing contaminated water into the local environment. Quality material has been used to ensure uninterrupted filtration.

Step 2 – Attach the filter to the sight glass connection. The 3/4" Camlock fixture on the sight glass and the filter provides an easy and quick set-up and replacement procedure. Ensure the inlet of the filter is positioned at the lowest height to achieve maximum static water head.



Filter Replacement

To replace the exhausted filter (no flow), simply close the ball valve and disconnect the filter from the Camlock connection. Install a new filter and reconnect to the Camlock connection.

When disconnecting the Spill Monkey, operators should use a Mini-Berm or an absorbent pad underneath in case there is fuel between the ball valve and the plugged Spill Monkey.

Discharge from the Spill Monkey has been extensively tested and meets environmental regulations for Total Petroleum Hydrocarbon (TPHs) and Oil and Grease as set by the EPA National Pollutant Discharge Elimination System (NPDES) as well as CFR 40 and the Canadian Council of Ministers of the Environment (CCME). Spill Monkey, a product of Advanced Water Systems Inc., is licenced for sale through SEI Industries Ltd.