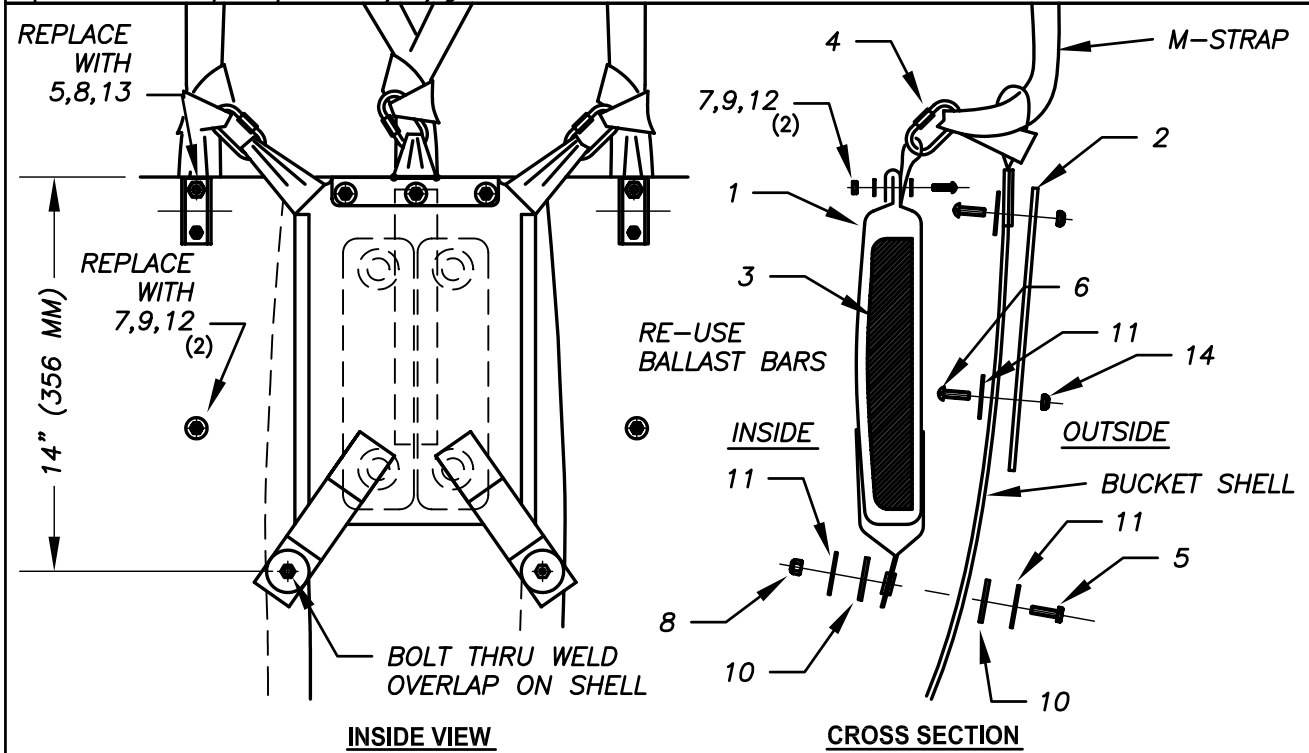
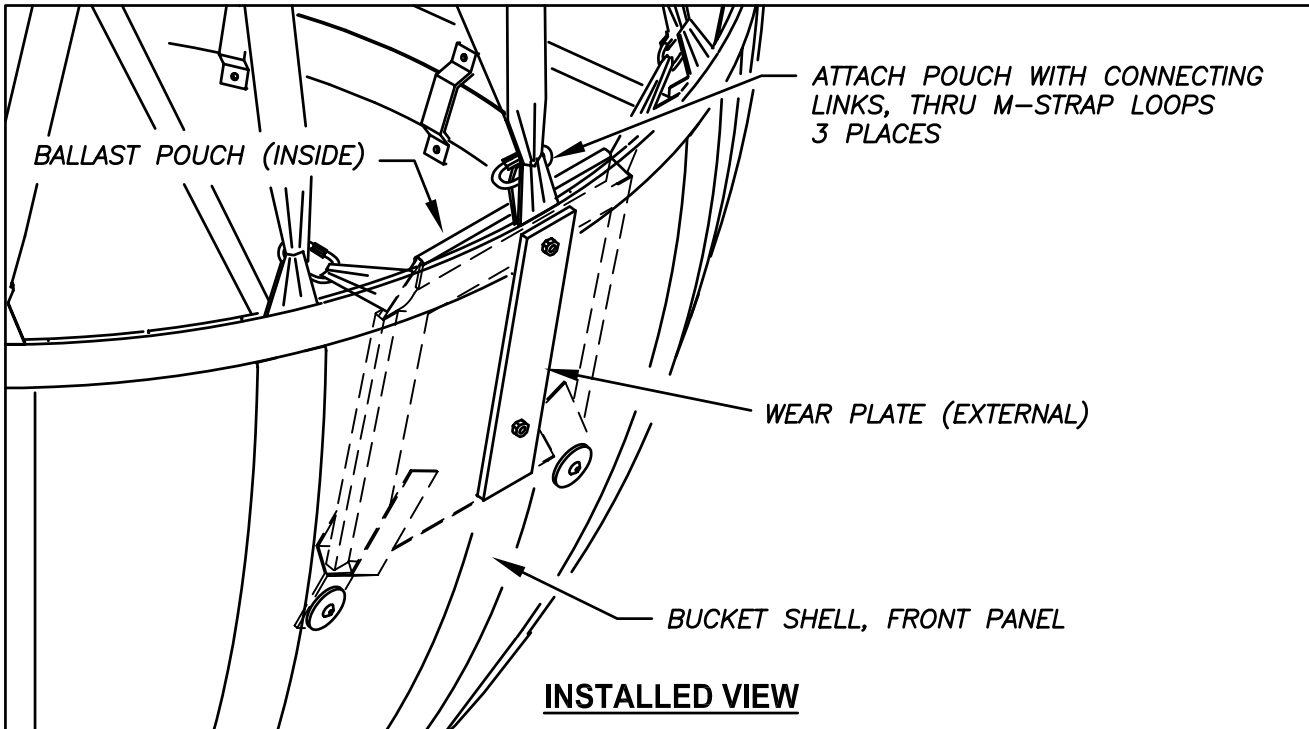


INBOARD BALLAST POUCH KIT - INSTRUCTION SHEET

APPLICABLE BUCKET MODELS: 6072, 8096, 9011, 1012, 1214, 1518 - FOR INSTALLATION OF TWO X 8 LB. BALLAST BARS



| ITEM | DESCRIPTION | QTY. | ITEM | DESCRIPTION | QTY. |
|------|----------------------------------|------|------|---------------------------------|------|
| 1 | BALLAST POUCH | 1 | 9 | NYLOCK NUT, #10UNC | 5 |
| 2 | WEAR PLATE, SS, 9 X 1-1/2 X 1/8 | 1 | 10 | RUBBER WASHER, 1/4 ID 1-1/2 OD | 4 |
| 3 | BALLAST BAR, 8 LB REUSE 2 EXIST. | 2 | 11 | FENDER WASHER, 1/4 ID 1-1/2 OD | 6 |
| 4 | CONNECTING LINK, 1/4" | 3 | 12 | PLAIN WASHER, #10 ID X 3/4 OD | 10 |
| 5 | HEX HD BOLT, 1/4UNC X 1" | 4 | 13 | PLAIN WASHER, 1/4 ID X 11/16 OD | 2 |
| 6 | BUTTON HD SCREW, 1/4UNC X 3/4" | 2 | 14 | NYLOCK JAMNUT, 1/4UNC | 2 |
| 7 | PANPHIL SCREW, #10UNC X 5/8" | 5 | | | |
| 8 | NYLOCK NUT, 1/4UNC | 5 | | | |