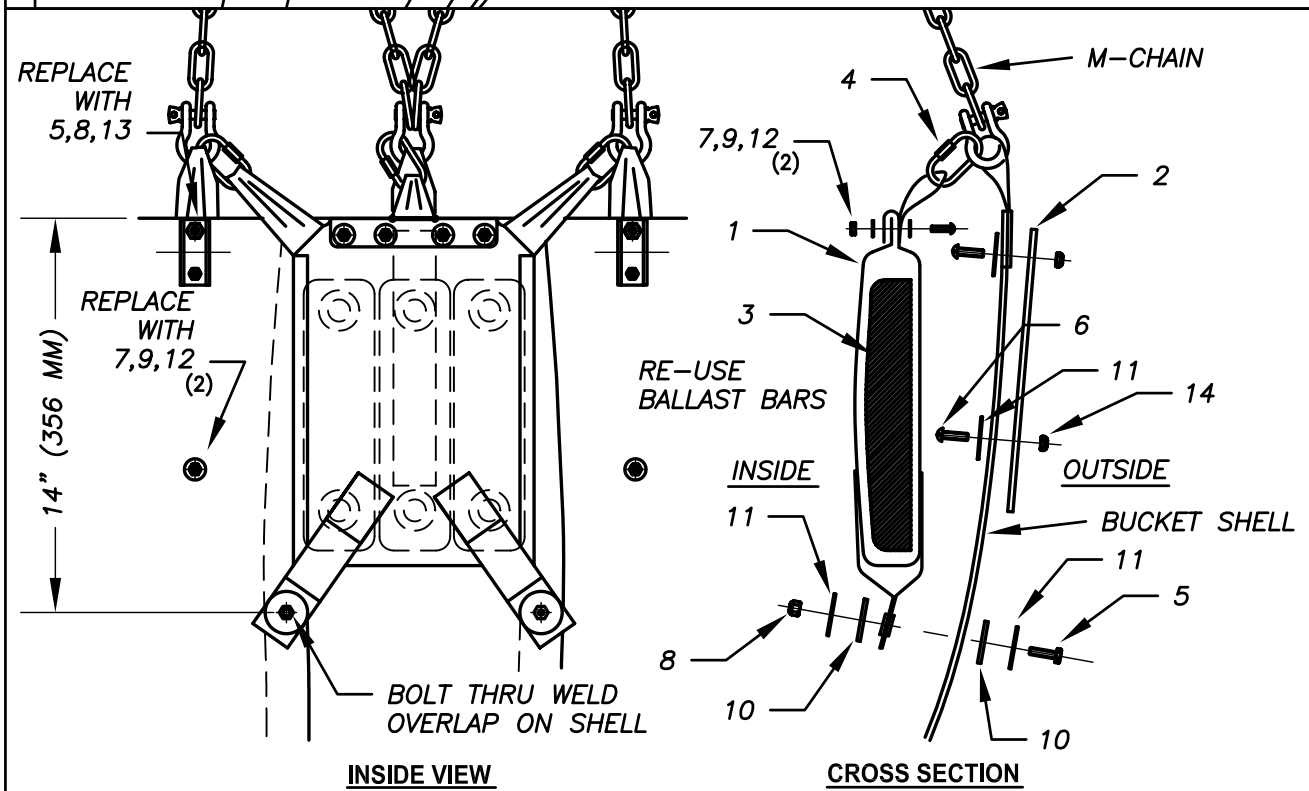
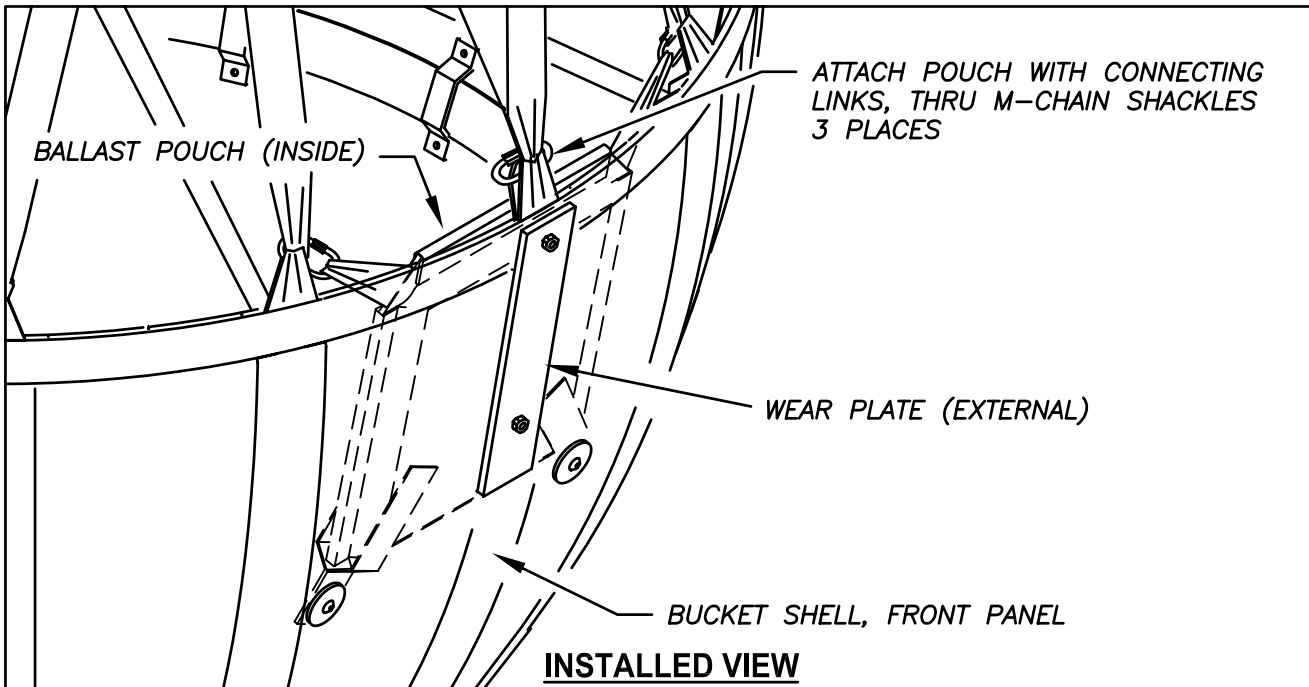


INBOARD BALLAST POUCH KIT - INSTRUCTION SHEET

APPLICABLE BUCKET MODELS: 2024, 2732, 3542 - FOR INSTALLATION OF THREE X 8 LB. BALLAST BARS



ITEM	DESCRIPTION	QTY.	ITEM	DESCRIPTION	QTY.
1	BALLAST POUCH	1	9	NYLOCK NUT, #10UNC	6
2	WEAR PLATE, SS, 9 X 1-1/2 X 1/8	1	10	RUBBER WASHER, 1/4 ID 1-1/2 OD	4
3	BALLAST BAR, 8 LB REUSE 3 EXIST.	3	11	FENDER WASHER, 1/4 ID 1-1/2 OD	6
4	CONNECTING LINK, 1/4"	3	12	PLAIN WASHER, #10 ID X 3/4 OD	12
5	HEX HD BOLT, 1/4UNC X 1"	4	13	PLAIN WASHER, 1/4 ID X 11/16 OD	2
6	BUTTON HD SCREW, 1/4UNC X 3/4"	2	14	NYLOCK JAMNUT, 1/4UNC	2
7	PANPHIL SCREW, #10UNC X 5/8"	6			
8	NYLOCK NUT, 1/4UNC	6			