

# DRIP DEFENDER™

SPILL COLLECTION PAD FOR VEHICLES

The Drip Defender is a rugged, easy-to-use, all-purpose spill collection pad designed to catch leaks. Ideal for use under all types of vehicles, industrial machinery or any other potential sources for leaks, the Drip Defender is able to withstand all climates and conditions.

## DESIGN FEATURES

- Constructed of durable, rugged Chem-Shield™ material which is suitable to -34 degrees Celsius (-30 degrees Fahrenheit) and is resistant to fuels, oils and most chemicals including acids
- Drip Defender includes a window style pocket designed to hold a standard 19" x 17" (48 cm x 43 cm) absorbent pad
- A grommet in one corner with a string attached allows for easy retrieval from under vehicles
- Drip Defender can be folded or rolled up easily for storage

## EDGE FEATURES

- **Unsupported** – ideal for indoor use and can easily be rolled up for storage
- **Foam supported** – permits vehicles to drive over it without damage and enables excess liquid containment after the absorbent pad is saturated
- **Chain supported** – the weighted edge allows for outdoor use and enables excess liquid containment after the absorbent pad is saturated

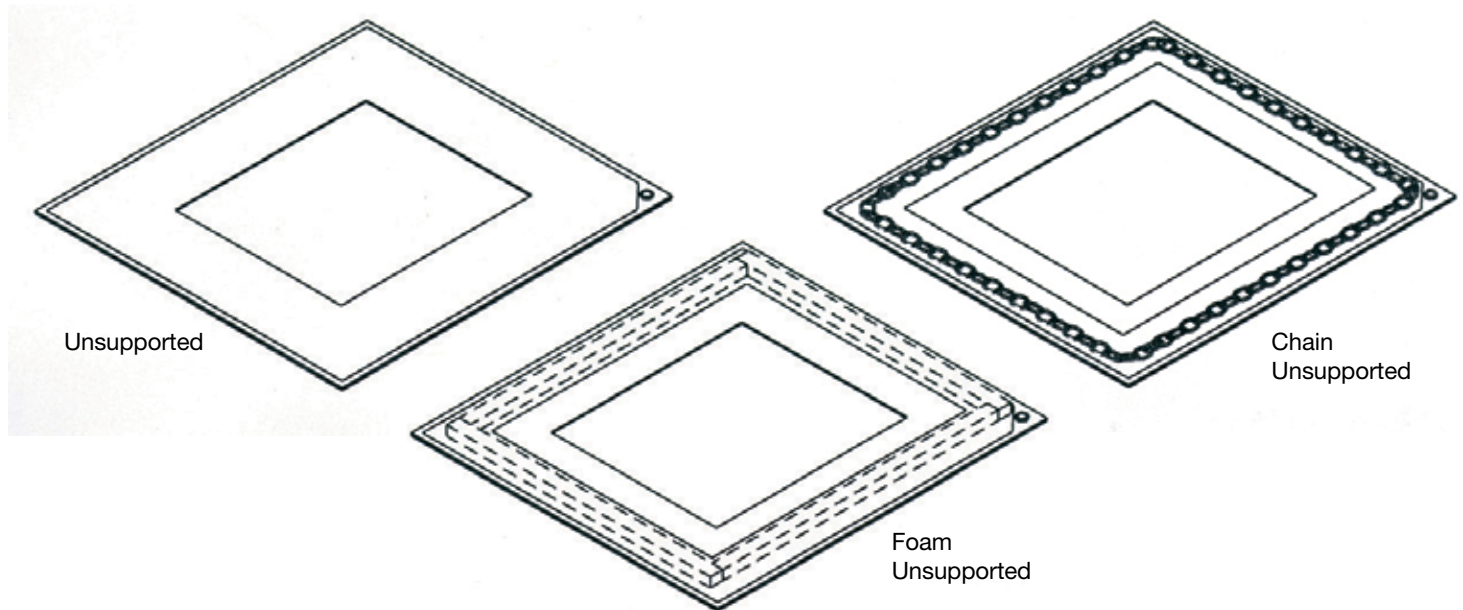
## CUSTOM MODELS

- Custom sizes are available in each edge style
- Custom window sizes are available for various sizes of absorbent pads
- Multiple window configurations are available to extend the protection area
- Windowless versions are also available

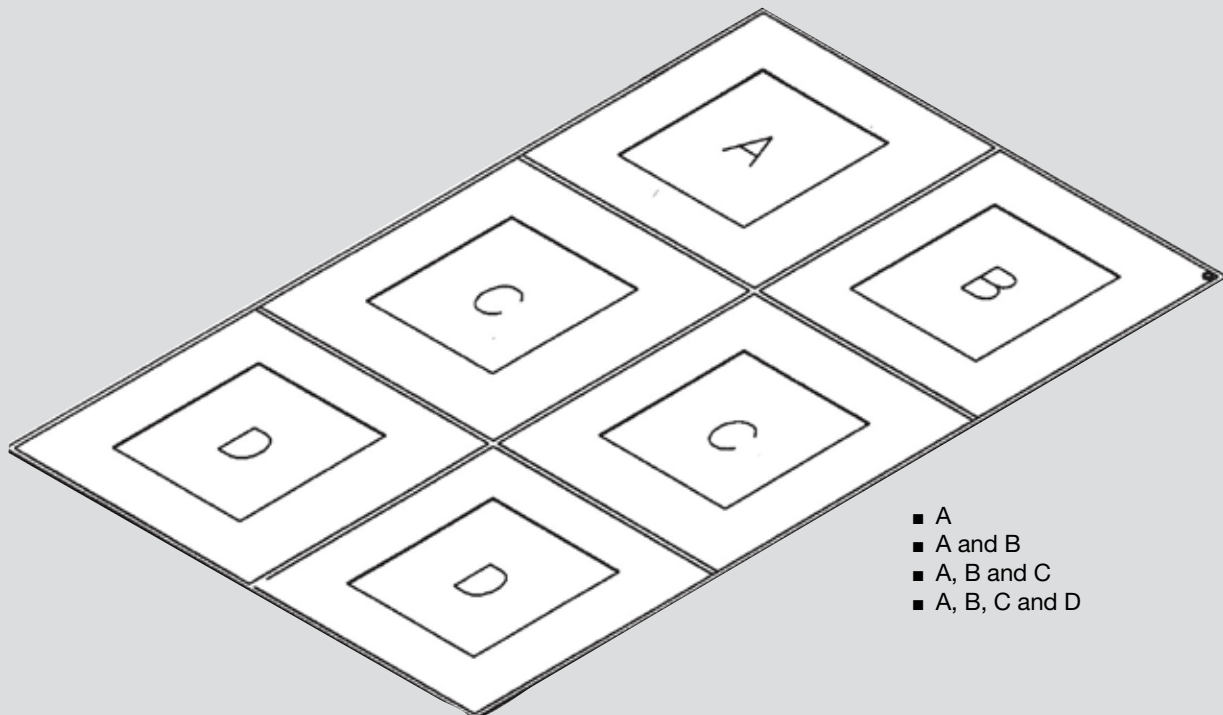
## DRIP DEFENDER SPECIFICATIONS

MODEL #	OUTSIDE DIMENSIONS (W X L)		WINDOW DIMENSIONS (W X L)		DRY WEIGHT	
	IN	CM	IN	CM	LB	KG
IBDD001 (chain)	27 x 25	69 x 64	15 x 13	38 x 33	4.5	2
IBDD002 (foam)	28 x 29	70 x 74			2.5	1
IBDD003 (unsupported)	27 x 25	69 x 64			1.2	0.5

# DRIP DEFENDER™



## CONFIGURATION OPTIONS



- A
- A and B
- A, B and C
- A, B, C and D